

H G F E D C B A

4

3

2

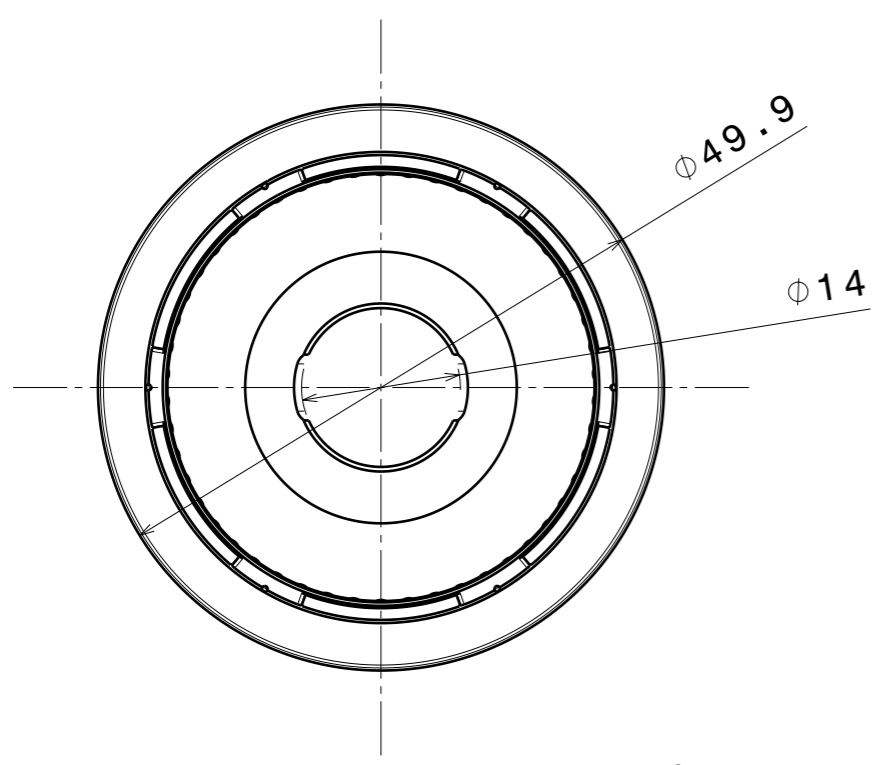
1

4

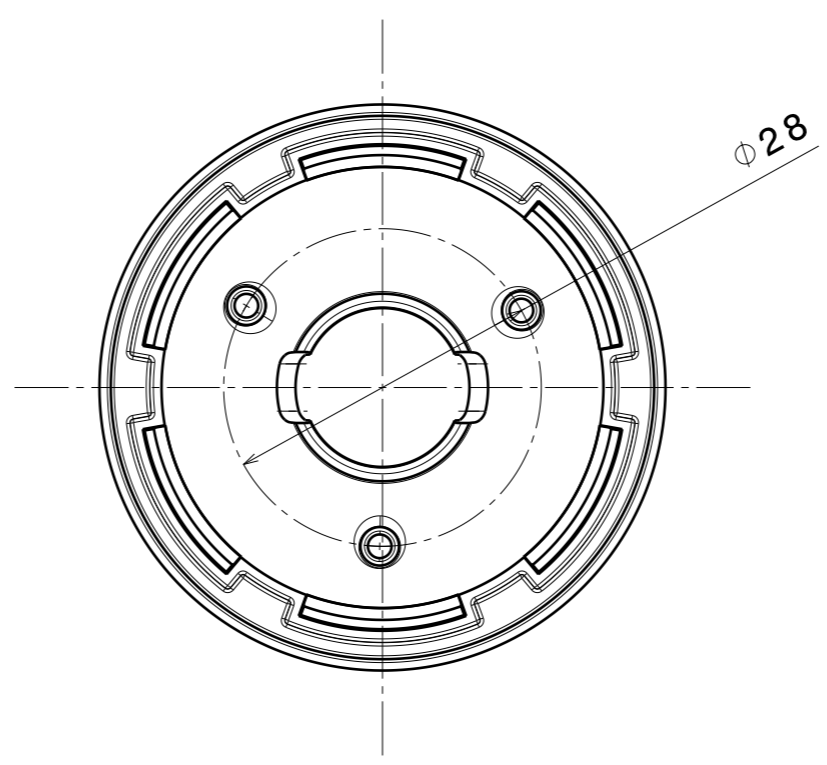
3

2

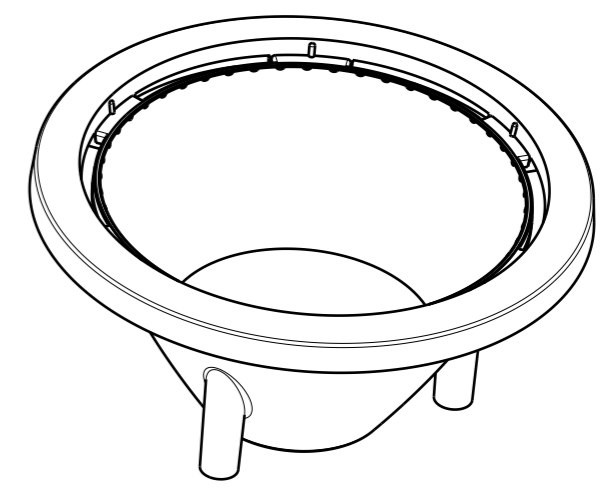
1



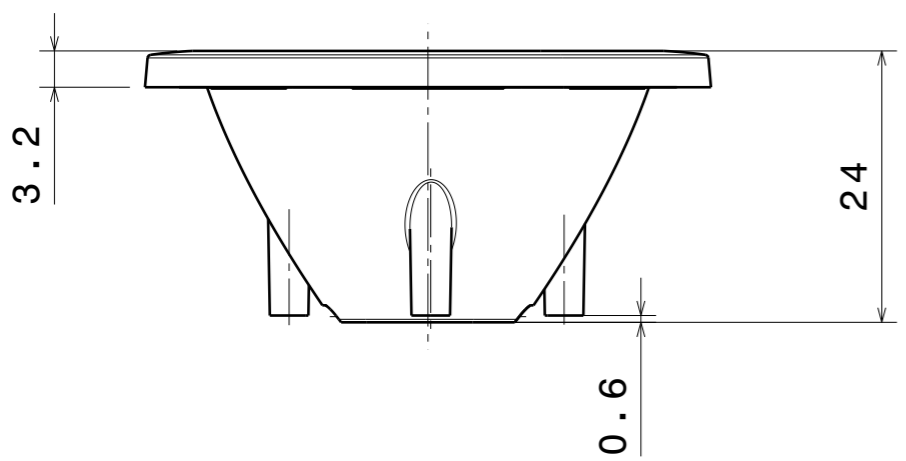
Top view



Bottom view

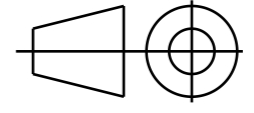


Isometric view



Front view

PART	TYPE	MATERIAL	COLOR / COATING
C13087_MIRELLA-50-W-PF		PC	metal

<b>MECHANICAL DRAWING</b>		<b>LEDiL<sup>®</sup></b>
PRODUCT <b>MIRELLA</b>		
Plastic moulding general tolerances according to DIN 16901-130 and applies if not otherwise shown in the drawing. Silicone moulding general tolerances according to ISO 3302-1 Class M3 and applies if not otherwise shown in the drawing.	FIRST ANGLE PROJECTION: 	This drawing is the property of LEDiL Oy. It may not be copied or otherwise distributed without prior written permission from LEDiL Oy.
SCALE 2:1	WEIGHT -	A3 SHEET 1/1

@ A B A